

Size : W =8.268 X H=11.693



**AKIJ PLASTICS**

**THE STANDARD  
UNCOMPROMISED**



**HOTLINE  
16609**  
08000016609

[www.akijplastics.com](http://www.akijplastics.com)  
[/akij-plastics](https://www.facebook.com/akij-plastics)

*www.akijplastic.com*

## About Akij Group

### Akij Group- The Largest Group of Companies in Bangladesh

The legacy of AKIJ GROUP is over 73 years and over the years Akij has established itself as a respected industrial family in Bangladesh. Akij Group is one of the biggest conglomerates in Bangladesh. It consists of 29 units with diverse activities & different products. Akij Group launched its venture as a small jute trader more than 70 years ago. Since then it has been progressing at a rapid pace in the industrial area of Bangladesh. A large number of people are employed by the group and cared for as members of the Akij family. Non-profit concerns are also involved in sustaining development of the country & for social welfare.



1940s  
Since



29  
Units



26000  
Employees

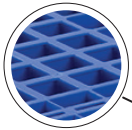


26  
National Achievements

# Our Unique Features

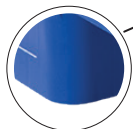
#### Top Deck

- ✓ Ensures uniform distribution of load by carefully designed ribs
- ✓ Allows ventilation and helps in air circulation for cooling applications



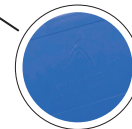
#### Anti-Slipper Rubber

- ✓ Prevents accidental slippage
- ✓ Jerking is reduced and damage is prevented



#### Rounded Corners and Edges

- ✓ Prevents crack initiation due to curved design
- ✓ Protects stored material from leaning/cutting/spillage



#### Akij Plastics Logo

- ✓ Trusted name for quality, performance and value for money



#### Rope Locker

- ✓ Easy for bundling or tying with rope
- ✓ Saves time for rope tying

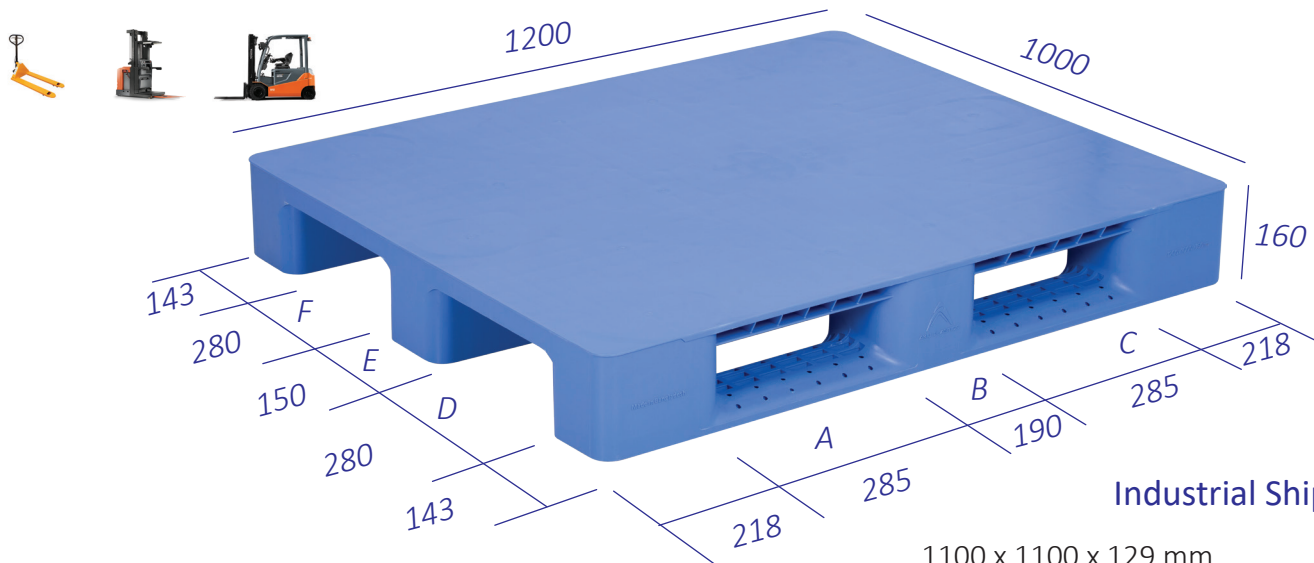


# Industrial Pallet

Code: 8003

Industrial Solid Pallet (4 Way Entry)

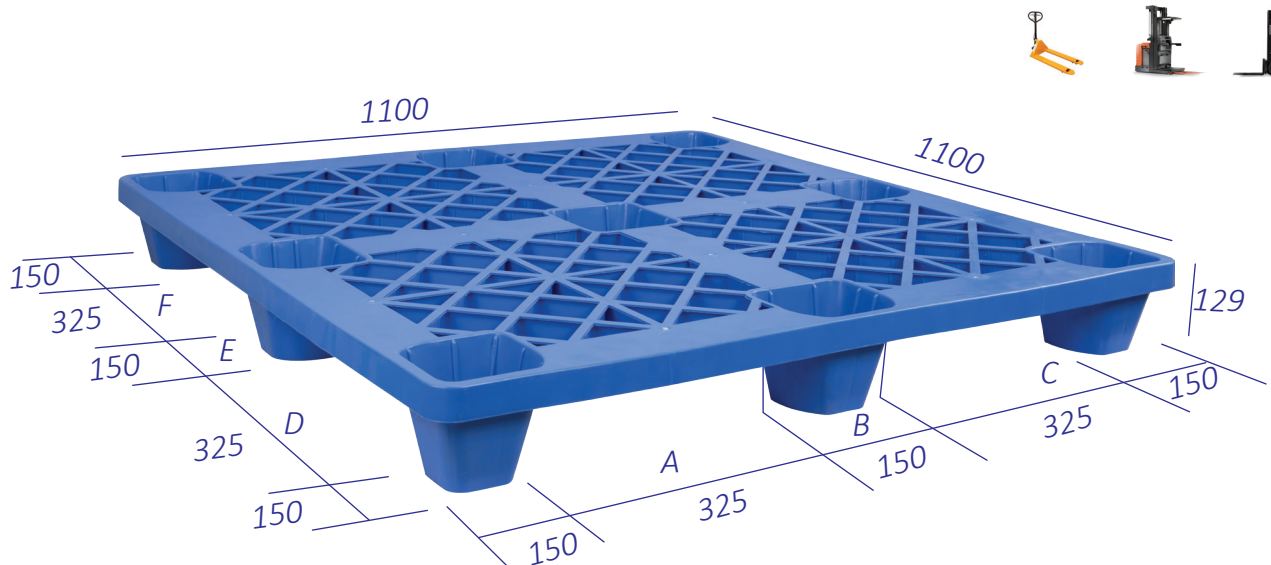
Dimension	1200 x 1000 x 160 mm
Material	HDPE / PP
Weight	19.76 (±1%) kg
Static Load	5000 kg
Dynamic Load	2000 kg
Racking Load	1000 kg
Speciality	Hygienic Pallet, Suitable for food and Pharma Industry



Code: 8505

Industrial Shipping Pallet

1100 x 1100 x 129 mm	Dimension
HDPE / PP	Material
6.81 (± 1%) kg	Weight
3000 kg	Static Load
2000 kg	Dynamic Load
Suitable for Goods Export	Speciality

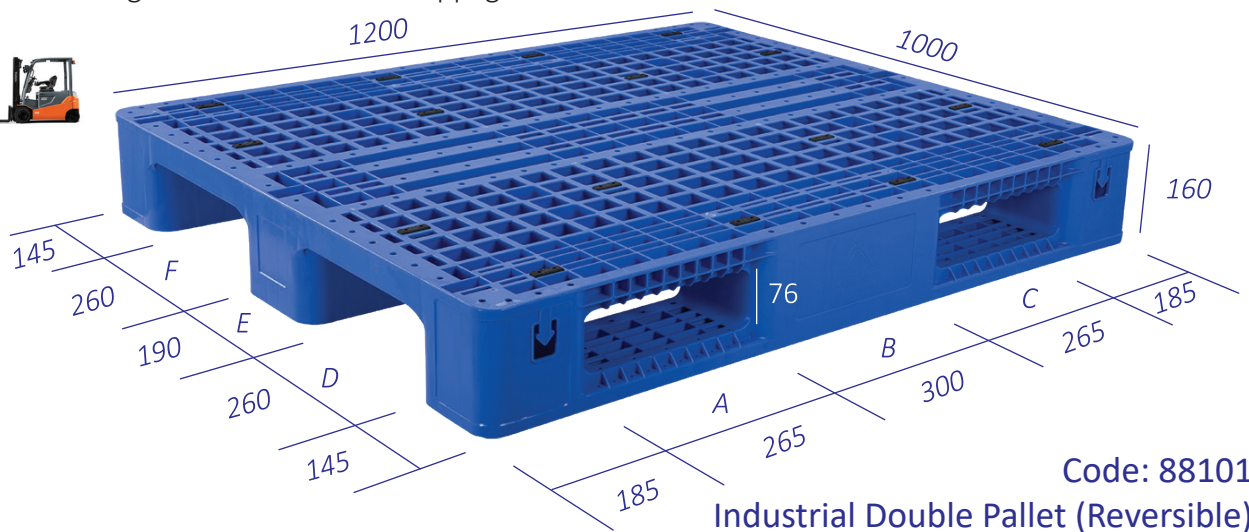


# Industrial Pallet

Code: 8001

Industrial Pallet (4 Way Entry)

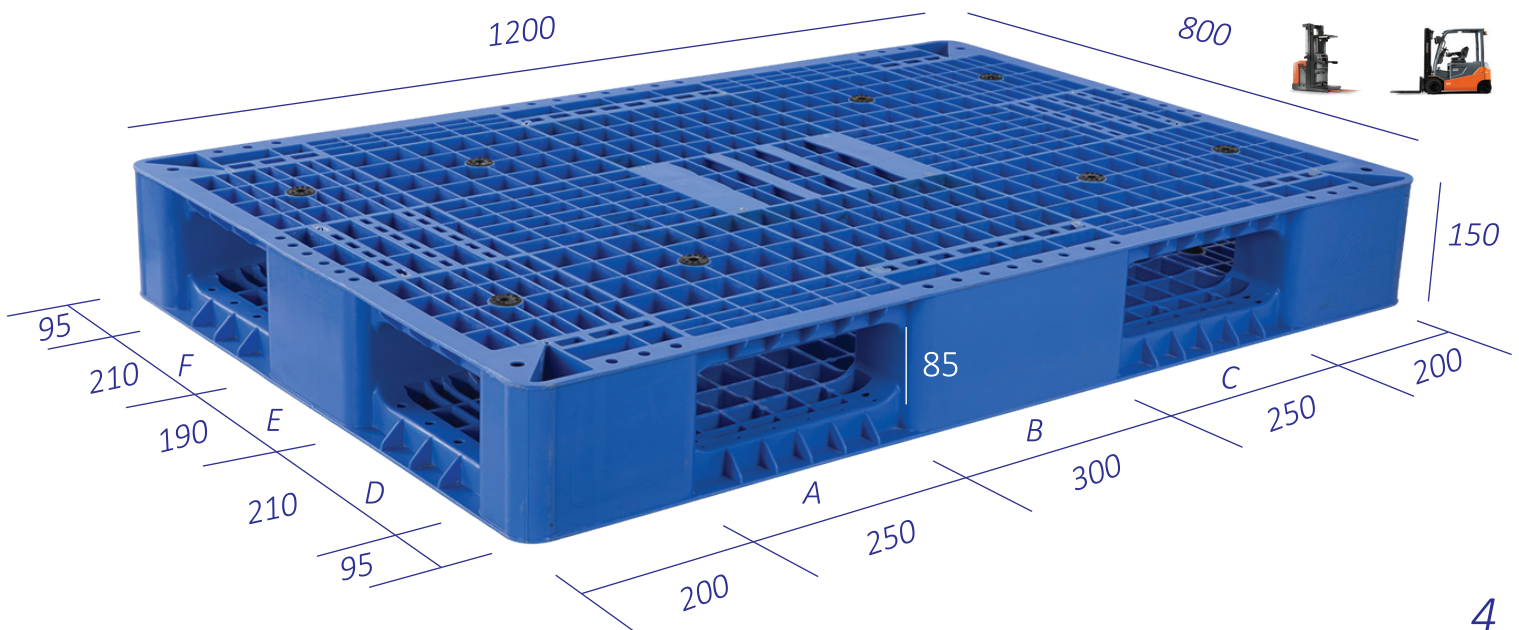
Dimension	1200 x 1000 x 160 mm
Material	HDPE
Weight	16.6 (± 1%) kg
Static Load	5000 kg
Dynamic Load	2000 kg
Racking Load	1000 kg
Speciality	Rubber Anti-Slipper on Top Surface and Legs Prevent Accidental Slippage



Code: 88101

Industrial Double Pallet (Reversible)

1200 x 800 x 150 mm	Dimension
HDPE	Material
14.5 (± 1%) kg	Weight
4000 kg	Static Load
2000 kg	Dynamic Load
1000 kg	Racking Load
Both Sides are Useable & Secured for 4-way Forking	Speciality

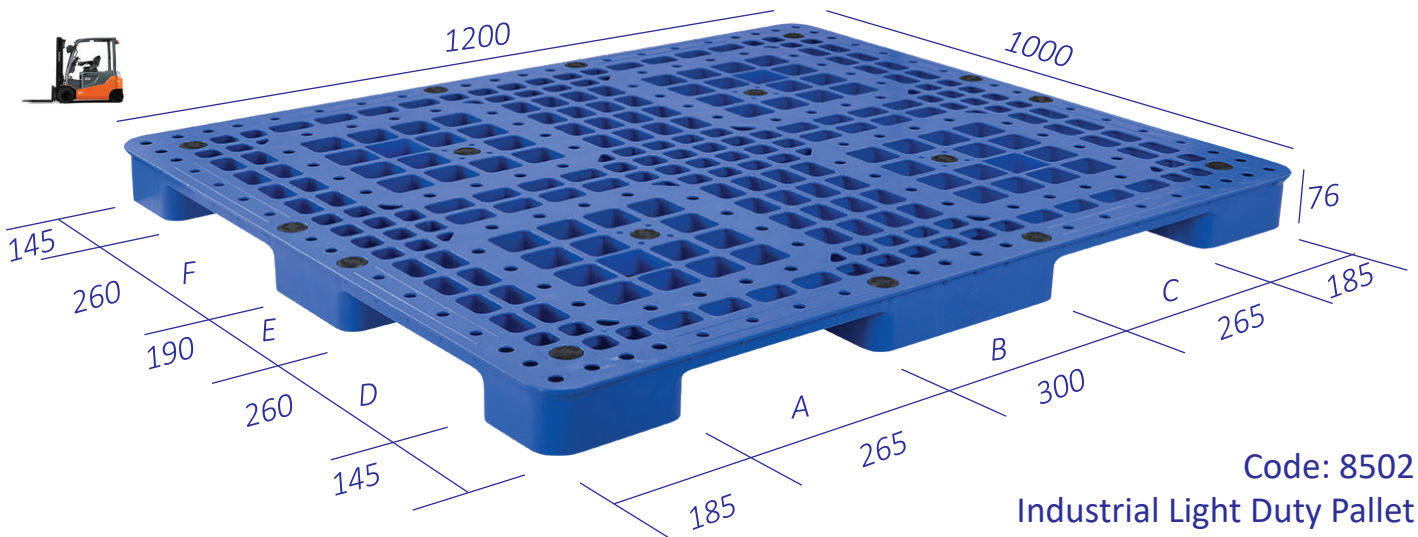


# Industrial Pallet

Code: 8501

Economical Light Duty Pallet

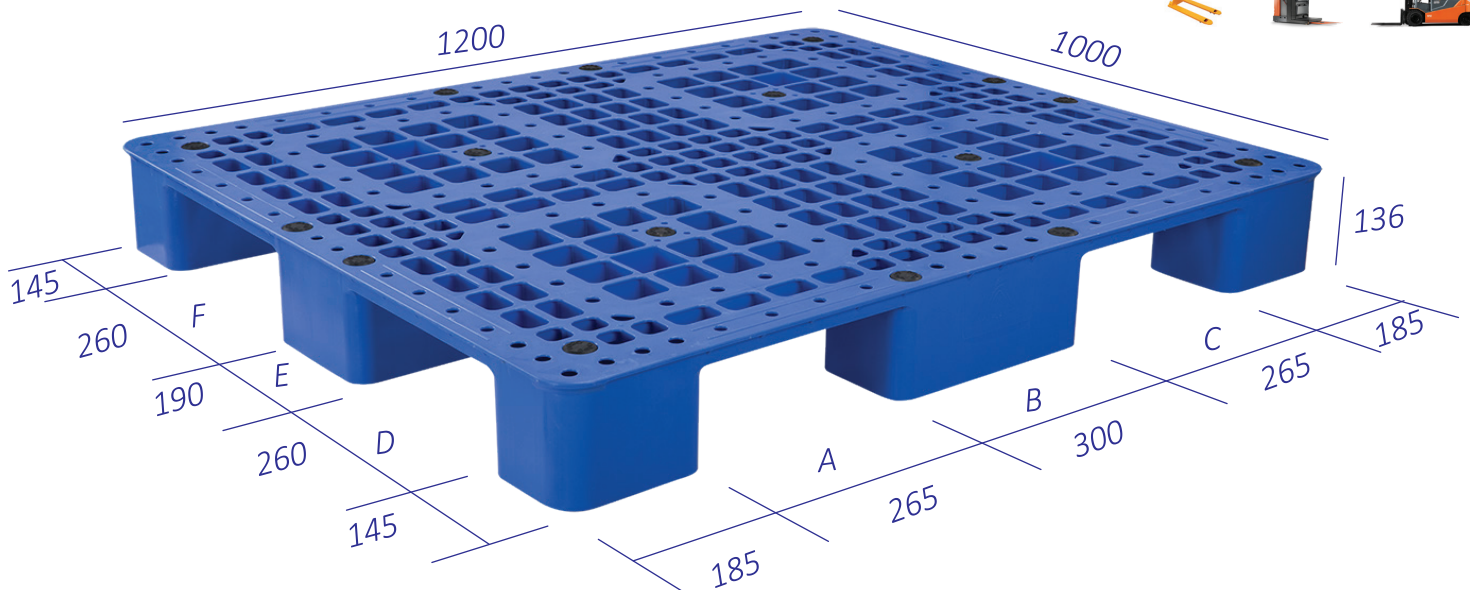
Dimension	1200 x 1000 x 76 mm
Material	HDPE/PP
Weight	7.8 (± 1%) kg
Static Load	3000 kg
Dynamic Load	2000 kg
Speciality	Cost-effective Design for Light Loads



Code: 8502

Industrial Light Duty Pallet  
(Suitable for Hand Trolley)

1200 x 1000 x 136 mm	Dimension
HDPE	Material
10.3 (± 1%) kg	Weight
3000 kg	Static Load
2000 kg	Dynamic Load
Cost-effective Design for both Hand Trolley & Forklift Usages	Speciality



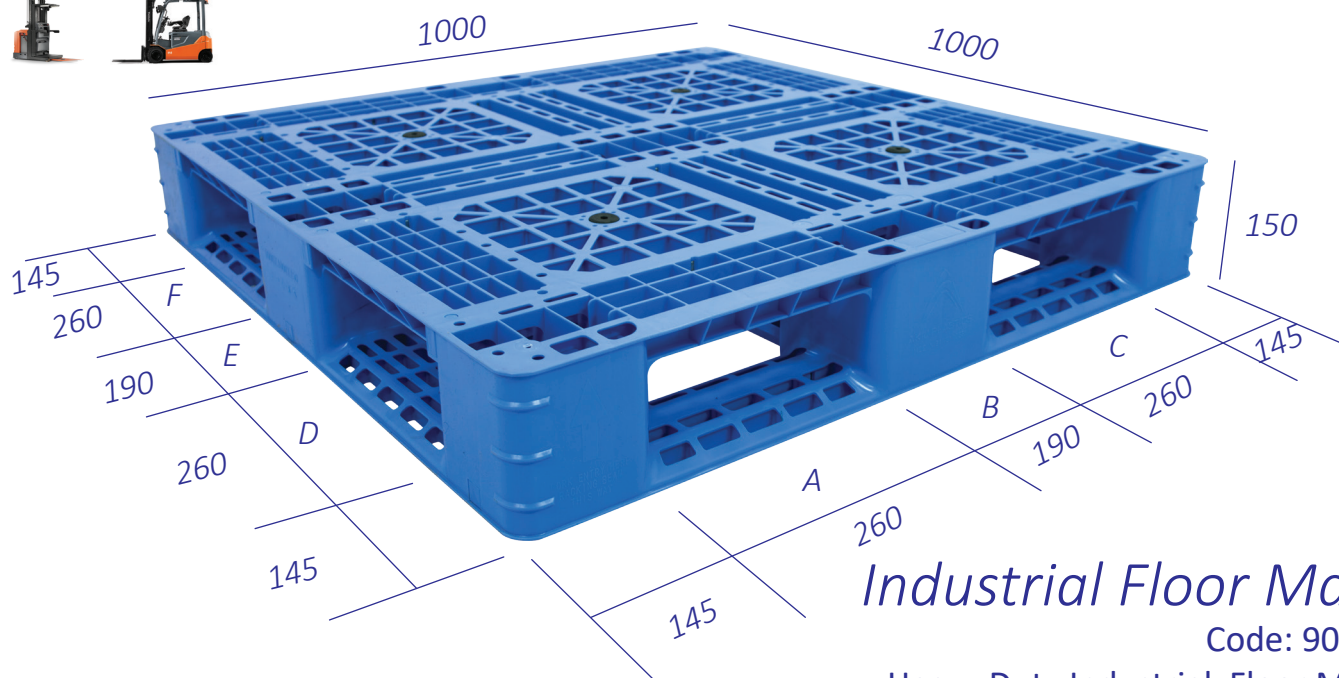
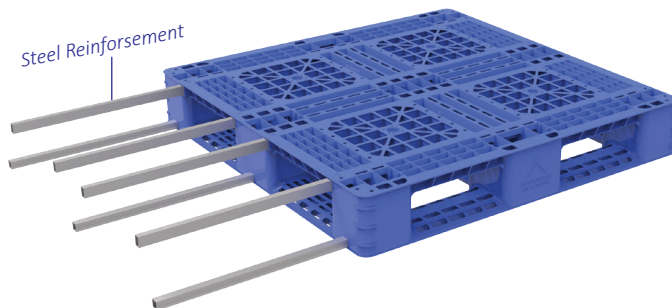
# Industrial Pallet

Code: 8005

Industrial Pallet (4 Way Entry)

Steel Reinforcement

Dimension	1000 x 1000 x 150 mm
Material	HDPE / PP
Weight	18.5 (±1%) kg
Static Load	6000 kg
Dynamic Load	2000 kg
Racking Load	1000 kg
Speciality	7 pcs MS Box Pipe inside this Pallet for reinforcement

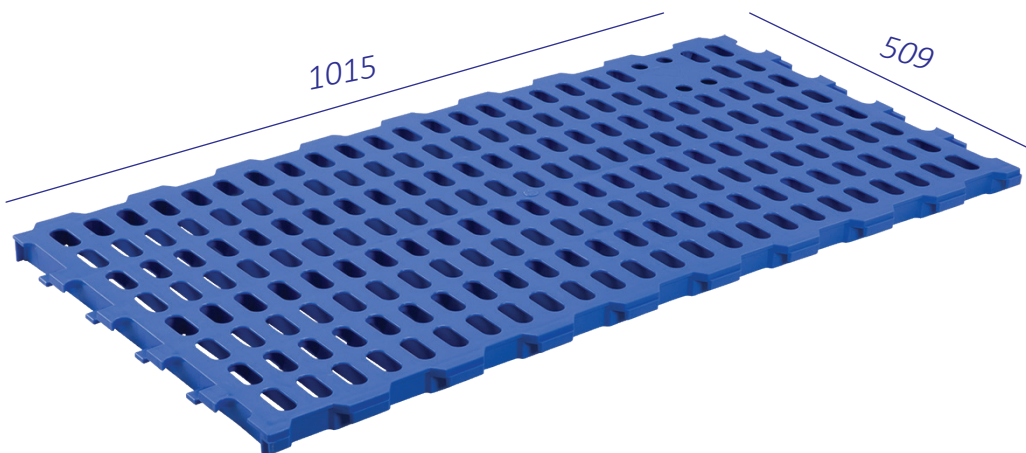


## Industrial Floor Mat

Code: 9001

Heavy Duty Industrial Floor Mat

Dimension	1017 x 510 x 30 mm
Material	HDPE/PP
Weight	2.65 (±1%) kg
Static Load	2500 kg
Speciality	Extremely Strong Bottom Ribs



# Industrial Crate



Code: 9506

Multipurpose Solid Crate

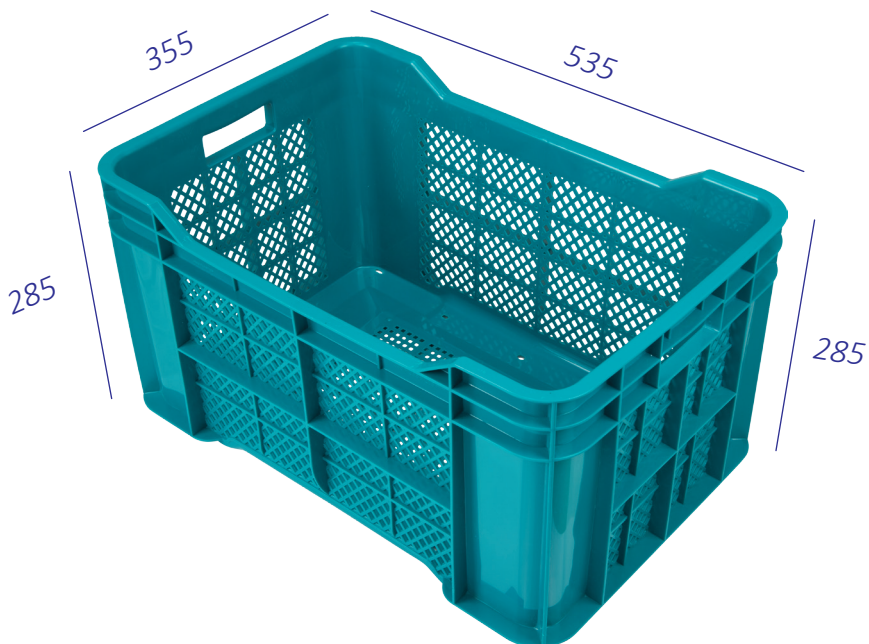
Dimension	535 x 355 x 285 mm
Material	HDPE / PP
Weight	1.7 (± 1%) kg
Volume	40L



Code: 9501

Multipurpose Perforated Crate

535 x 355 x 285 mm	Dimension
HDPE /PP	Material
1.5 (± 1%) kg	Weight
40L	Volume



# Why AKIJ Pallet?



## APPLICATIONS

- Cargo Handling ■ Garments ■ Pharmaceuticals ■ Warehouse Racking & Stacking ■ Transportation
- Food & Beverage ■ Paper & Printing ■ Nurseries ■ Electronics ■ Household Goods ■ Automotive
- Various Shops & Industries

## BENEFITS FOR YOUR BUSINESS

### COMPLIANCES

- Hygienic and Washable, Akij Pallet helps your company with regulations

### FEATURES

- Super Tough & Strong
- Excellent Impact Strength
- High Abrasion Resistance
- Excellent ESCR (Environmental Stress Crack Resistance)

### CHARACTERISTICS

- Good Chemical Resistance
- Resistant to Grease & Industrial Oils
- Suitable for High & Low Service Temperature
- Highly Durable
- Weather Resistant and Long Lasting Performance even in Tough Working Conditions
- Termite-Proof

### OPERATIONAL ADVANTAGES

- No Repairing
  - No Cleaning of Wood Debris on Factory Floor
  - No Moisture Absorption, So no Bacterial Growth
  - Minimal Product Damages
  - Less Production Down Time
  - Less Administrative Work (No Pallet Treatment & Reduces Pallet Ordering Frequency)
  - Less Hassle
  - Washable, Hygienic & Appropriate for Sensitive Applications
- Customized Colors are Possible

### COST

- 5-10 Years Working Life
- Benefit from Trade-In Value
- More than 50% Savings for over 5 Years as compared to Wooden Pallets

